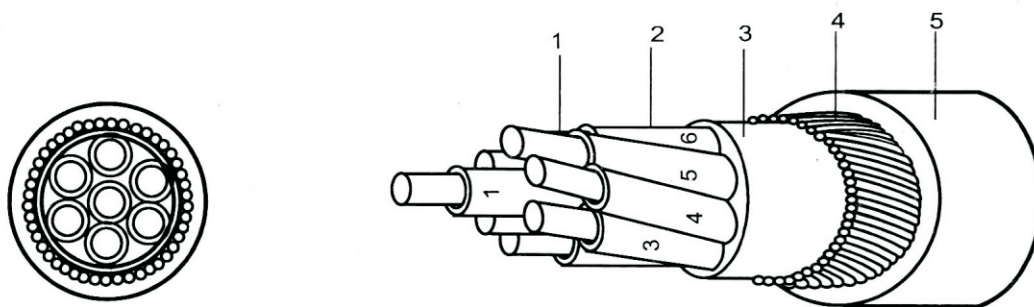


PVC INSULATED AND SHEATHED ARMoured COPPER CONTROL MAINS CABLES 0.6 / 1 Kv WITH NUMBERED CORES

Type: NYCRY /FY -cc 1.5mm²
Identification: N: Standard Cable type
 C: Copper conductor
 Y: PVC Insulation
 R: Round Steelwire armoured, or
 F: Flat steel armoured
 Y: PVC outer sheath
 cc: Control cable

Application: Indoor and Outdoor electricity supply

SPECIFICATION: VDE 0271



1. Copper conductor
2. PVC - insulation
3. Bedding (PVC)
4. Round or flat wire armoring
5. PVC-outer sheath

Nominal Cross Sectional Area mm ²	Conductor number x diameter of wire mm	Radial thickness of			Nominal Overall diameter mm	Maximum current rating A		Weigh kg/ standard length kg	Standard delivery length m	Delivery form drum
		insult mm	inner sheath mm	outer sheath mm		in ground	in air			
5. x 1.5	1/1.38	0.8	0.8	1.8	15.3	16	11	409	1000	R12
7 x 1.5	1/1.38	0.8	0.8	1.8	16.7	14	10	538	1000	R12
10 x 1.5	1/1.38	0.8	0.8	1.8	19.7	11	8	700	1000	R12
12 x 1.5	1/1.38	0.8	0.8	1.8	20.3	11	8	759	1000	R12
16 x 1.5	1/1.38	0.8	0.8	1.8	22.1	10	7	945	1000	R14
19 x 1.5	1/1.38	0.8	0.8	1.8	23.0	9	7	1028	1000	R14
27 x 1.5	1/1.38	0.8	1.2	2.0	26.6	8	6	1248	1000	R14
33 x 1.5	1/1.38	0.8	1.2	2.0	28.1	7	6	1427	1000	R16
37 x 1.5	1/1.38	0.8	1.2	2.0	29.0	7	5.5	1519	1000	R16