

PVC INSULATED AND SHEATHED FIVE - CORE ARMOURED COPPER MAINS CABLES 0.6/1kv

Type: NCYRY / FY 5 - core

Identification: N: Standard Cable type

C: Copper conductor

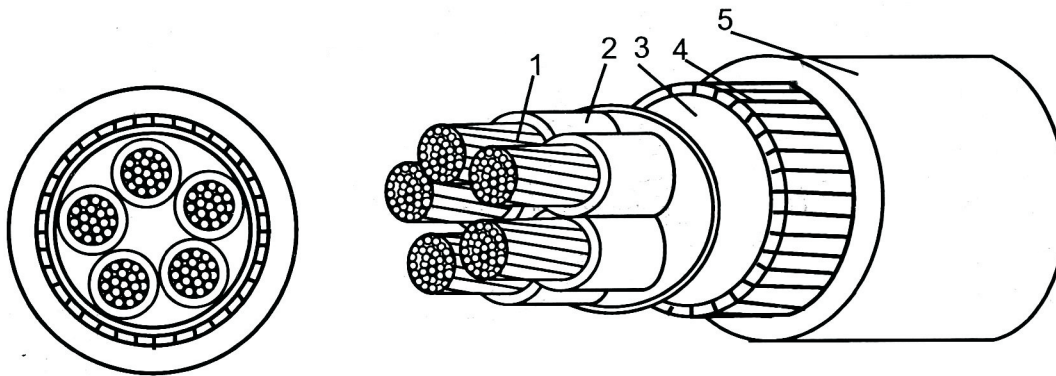
Y: PVC Insulation

F: Flat steel wire armoured or R: Round Steel- wire armoured

Y: PVC outer sheath

Application: General underground electricity supply

SPECIFICATION: BS 6346



1. Copper conductor
2. PVC - insulation
3. PVC inner sheath
4. PVC-outer sheath

Nominal Cross Sectional Area mm ²	Conductor number x diameter of wire mm	Radial thickness of			Nominal Overall diameter in air	Maximum current rating A		Weigh kg/ standard length kg	Standard delivery length mm	Delivery form drum
		insult	inner sheath	outer sheath		in ground	in air			
		mm	mm	mm						
1.5	1/1.38	0.8	0.8	1.8	15.1	16	11	407	1000	R12
2.5	1/1.78	0.9	0.8	1.8	17.4	21	15	588	1000	R12
4	1/2.25	1.0	0.8	1.8	19.3	27	20	730	1000	R12
6	1/2.76	1.0	0.8	1.8	21.0	34	25	925	1000	R14
10	7/1.35	1.0	1.0	2.0	24.1	45	35	1171	1000	R14
16	7/1.70	1.0	1.0	2.0	26.8	59	46	1563	1000	R16
25	7/2.14	1.2	1.0	2.0	31.4	76	62	1108	500	R16
35	7/2.50	1.2	1.2	2.2	35.4	91	82	1567	500	R16
50	19/1.78	1.4	1.2	2.2	40.0	109	99	1993	500	R20
70	19/2.14	1.4	1.5	2.6	46.3	135	125	2539	500	R22

Solid Copper conductor up - to 6mm²